



## WALL BENCH (1 SHELF) 600mm DEEP

### SPECIFICATION

- ✓ Fully welded free standing, wall sited commercial s/steel wall bench with worktop.
- ✓ Worktop constructed in 304 gd (1.2 thk.) s/steel supported on 30 x 30 box section 430 gd (1.2 thk.) framework.
- ✓ Welded low level 430 gd. 1.2 thk. s/steel storage under-shelf.
- ✓ Available in 600, 900, 1000, 1200, 1400, 1500, 1800 & 2100 mm popular lengths.
- ✓ Available in 600, 650 & 700mm depths.
- ✓ Standard wall bench height is 900mm – to suit most kitchen area back counters.
- ✓ Steel worktop features 50 mm down stand to each edge.
- ✓ 50 mm(H) splashback/ wall up stand to rear of worktop.
- ✓ Wall bench legs inset 100 mm to the rear, to allow for service pipework behind.
- ✓ Frame fitted with flanged levelling feet for mechanical fixing to floor surface.
- ✓ Wall bench height adjustment : - 15/+ 35mm

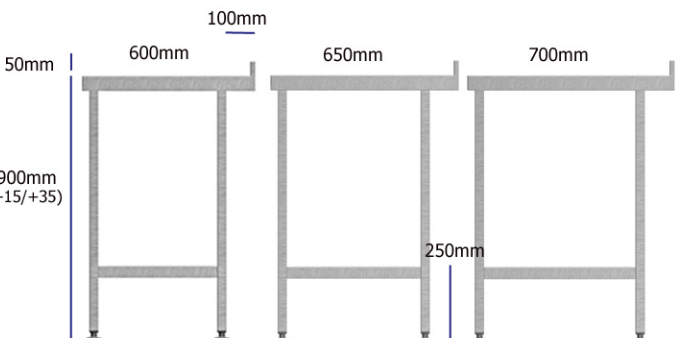
Code	Description	Height (mm)	Weight (kg)
QWB661U	600 (L)×600 (D) W. Bench (1 Shelf)	900	14
QWB961U	900 (L)×600 (D) W. Bench (1 Shelf)	900	19
QWB1061U	1000 (L)×600 (D) W. Bench (1 Shelf)	900	20
QWB1261U	1200 (L)×600 (D) W. Bench (1 Shelf)	900	23
QWB1461U	1400 (L)×600 (D) W. Bench (1 Shelf)	900	27
QWB1561U	1500 (L)×600 (D) W. Bench (1 Shelf)	900	28
QWB1861U	1800 (L)×600 (D) W. Bench (1 Shelf)	900	33
QWB2161U	2100 (L)×600 (D) W. Bench (1 Shelf)	900	38

## WALL BENCH (1 SHELF) 650mm DEEP

Code	Description	Height (mm)	Weight (kg)
QWB6651U	600 (L)×650 (D) W. Bench (1 Shelf)	900	15
QWB9651U	900 (L)×650 (D) W. Bench (1 Shelf)	900	20
QWB12651U	1200 (L)×650 (D) W. Bench (1 Shelf)	900	25
QWB15651U	1500 (L)×650 (D) W. Bench (1 Shelf)	900	30
QWB18651U	1800 (L)×650 (D) W. Bench (1 Shelf)	900	35
QWB21651U	2100 (L)×650 (D) W. Bench (1 Shelf)	900	40

## WALL BENCH (1 SHELF) 700mm DEEP

Code	Description	Height (mm)	Weight (kg)
QWB671U	600 (L)×700 (D) W. Bench (1 Shelf)	900	15
QWB971U	900 (L)×700 (D) W. Bench (1 Shelf)	900	21
QWB1071U	1000 (L)×700 (D) W. Bench (1 Shelf)	900	22
QWB1271U	1200 (L)×700 (D) W. Bench (1 Shelf)	900	26
QWB1571U	1500 (L)×700 (D) W. Bench (1 Shelf)	900	32
QWB1871U	1800 (L)×700 (D) W. Bench (1 Shelf)	900	37
QWB2171U	2100 (L)×700 (D) W. Bench (1 Shelf)	900	43

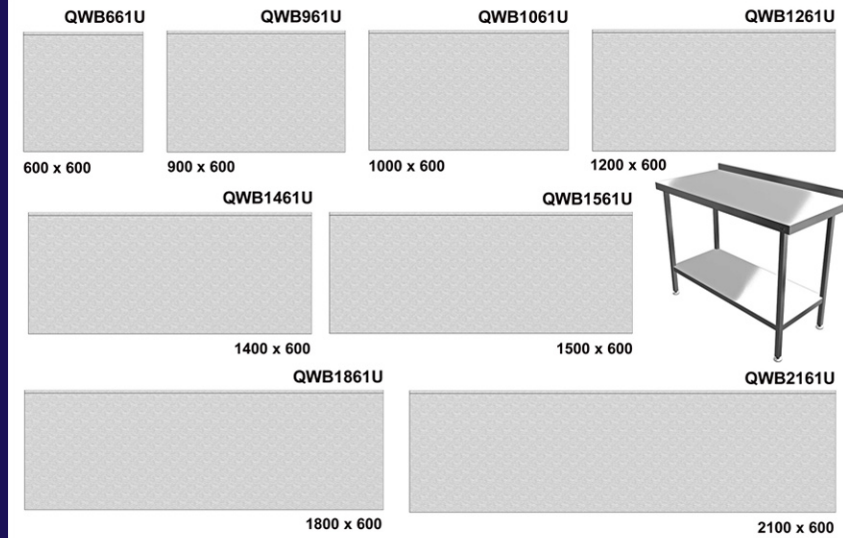


# QUICK SERVICE WALL BENCH (1 SHELF)

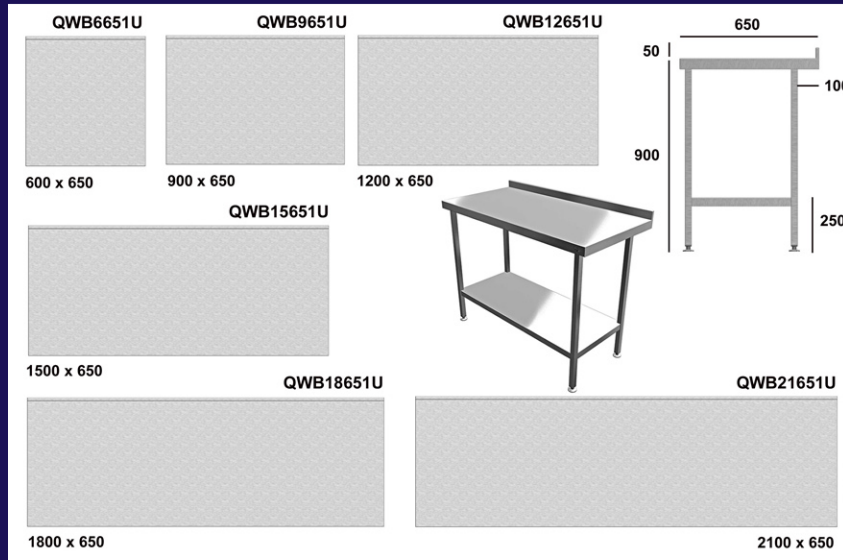
Introducing Quick Service  
A range of popular sized, short lead time, high quality commercial fabrication products, held in stock and all available within 2-6 working days after order.



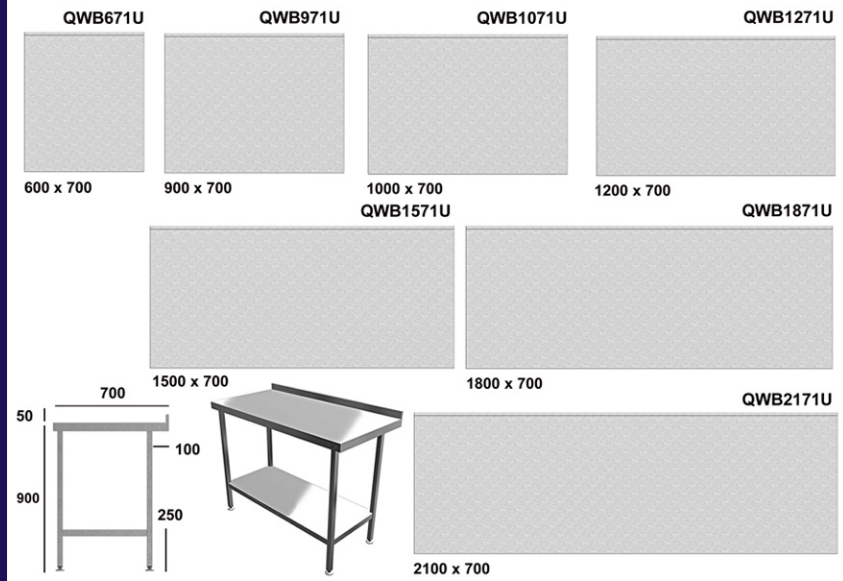
### 600mm DEEP



### 650mm DEEP



### 700mm DEEP



Download All Technical Drawings From  
[www.cedfabsltd.co.uk](http://www.cedfabsltd.co.uk)

[www.cedfabsltd.co.uk](http://www.cedfabsltd.co.uk)  
[sales@cedlimited.com](mailto:sales@cedlimited.com)

Tel : 01254 238 282

CED Fabrications Limited  
Units A1-A4 Falcon Court  
Clayton Business Park  
Clayton-Le-Moors  
Hyndburn  
Lancashire  
BB5 5JD